



**VERTIV™**

**Liebert®**

eXL™ UPS

625 - 1200kVA

Single Module and  
Multi-Module Systems



## A UPS as Dynamic as Your Data Center

The Liebert® eXL™ UPS maximizes capital and operational efficiency, enabling today's dynamic data centers to be rapidly deployed, flexible and easily scalable. The UPS is purposefully designed to enable simple, intuitive operation and proactive service and maintenance. The design leverages Vertiv™'s application and systems expertise that provides industry-leading levels of reliability that you can depend on.

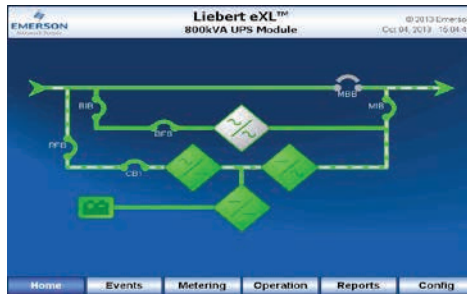
### High Efficiency/Low TCO

- Transformer-free topology with up to 97% efficiency in double conversion mode.
- High capacity and unity power factor in a smaller footprint – provides more usable power, best space utilization, and reduced installation costs.
- Eco-mode ready, giving you future options for industry leading levels of efficiency in your data center.
- Conserve capital expenditures with capacity on demand – increase power capacity without increasing footprint.
- Accommodates IT load without de-rating, eliminating the need to oversize for leading load power factor.
- Lower installation costs with three-wire design and high input power factor.
- Optimizes PUE through lower operating losses and reduced cooling requirements.

### Intelligent, Proactive Technology and Support

- Integrated control system and internal diagnostics allow enhanced visibility into operation and awareness of potential issues.

- Rich information, management and monitoring via integration with the *Trellis™* platform. Easily compatible with other management solutions.
- Large, user-friendly HMI touch screen makes maintenance simpler and reduces likelihood of user error.



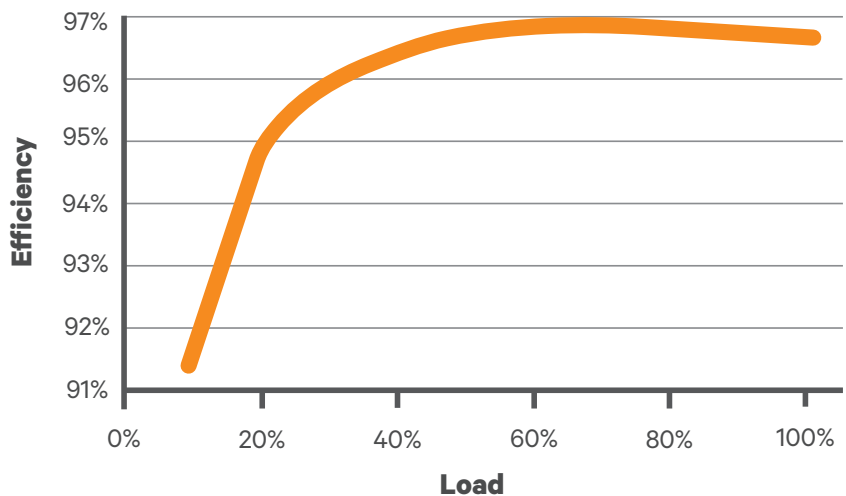
*The large, on-unit HMI touch screen (10.4") provides comprehensive, real-time updates of critical system information.*

### Service and Support from Vertiv

Vertiv provides the industry's largest service network, ensuring that data center expertise is never far when you need it. From strategy to deployment, operation and expansion, our team can help you optimize your data center for efficiency and availability.

- System-level factory witness testing provides assurance that crucial power systems work together – before site installation.
- Factory-direct service technicians.
- LIFE™ Services for remote monitoring enables our experts to track your UPS performance 24/7/365 to optimize efficiency and availability.

### Efficiency Curve – Liebert eXL UPS



*This data represents typical performance of an 800kVA/kW system and is not a guarantee of minimum efficiency.*



Liebert eXL UPS, 1000-1200kVA model

Liebert® eXL™ UPS has the most robust design of any maximum efficiency UPS in the industry, due to features such as:

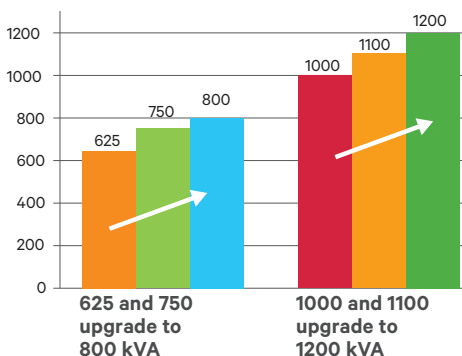
- Use of breakers instead of contactors - improves reliability and offers higher withstand rating.
- Continuous duty static bypass switch, vs momentary duty, improves reliability.
- Redundant fans – maintains airflow in the event of a single fan outage.

### Capacity-on-Demand

- Conserves up-front capital.
- Responds rapidly to dynamic business needs.
- Softscale technology allows your system to efficiently grow with IT operations without adding to system footprint.

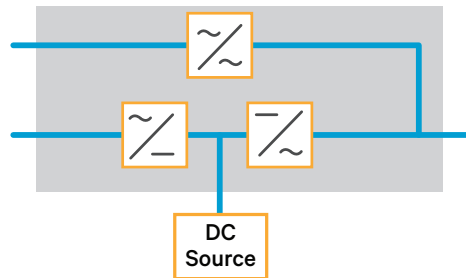
### Flexible Configurations

- Grow from 625-800kVA or 1000-1200kVA without increasing footprint. Continuous-duty, fully-rated static switch.
- Optional 100kA short circuit withstand design for high available fault current applications 65kA withstand standard.
- Utilizes circuit breakers as opposed to contactors to increase reliability.



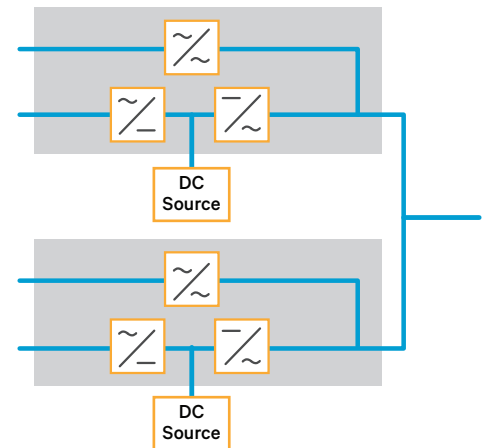
### Single-Module Configuration

Single-module systems provide a basic protection configuration. The critical bus is powered by a single UPS system with bypass capability. Large capacity modules can replace multiple smaller modules in dual bus configurations, reducing complexity and increasing reliability.



### 1+N Parallel Configuration - Up to 6 Modules

- Paralleling of single UPS units, offers easy scalability for capacity or redundancy.
- Each module has its own single bypass static switch.
- Provides multi-module operation without the need for a system control cabinet.
- Bypass sharing is assured through integral bypass load sharing inductors, simplifying wiring and installation.



## Product Specifications

LIEBERT® eXL™ UPS MODEL SIZE	625, 750, 800 kVA / kW	1000, 1100, 1200 kVA / kW
<b>Input AC Parameters</b>		
Rectifier Type	IGBT Active Rectifier	
Input Voltage to Rectifier	VAC 480 3-phase, 3-wire	
Input Voltage to Bypass	VAC 480 3-phase, 3-wire	
Input Voltage Range	VAC +10%, -15% (-30% battery assist)	
Input Frequency, Hz	60	
Permissible Input Frequency Range, Hz	55 to 65	
Input Power Factor	>0.99	
Reflected input THDi at nominal voltage at full load %	<5%	
Power Walk-In, sec	1 to 30 (selectable) in 1 sec. increments	
<b>Battery &amp; DC Parameters</b>		
Battery Type	VRLA (Valve Regulated Lead Acid) or FLA (Flooded Lead Acid)	
Nominal Battery Bus, VDC	480V	
Battery Float Voltage, VDC	540V	
DC Ripple Voltage in Float and Const V Ch. mode, %	<1 (RMS value) < 3.4% Vpp	
Temperature Compensated Battery Charging	Standard (with temperature probe)	
<b>Output Parameters</b>		
Inverter Type	High Efficiency Transformer Free IGBT PWM Controlled Inverter	
Output Power, kVA/kW	625, 750, 800 kVA / kW	1000, 1100, 1200 kVA / kW
Load Power Factor Supported (Without Derating)	0.7 Leading to 0.7 Lagging	
Output Voltage	480 VAC 3-phase, 3-wire	
Output Voltage Regulation	< 1% (3-phase RMS average)	
Output Voltage Regulation (50% Unb. Load)	< 2% (3-phase RMS average)	
Output Frequency, Hz	60 Hz	
Output Frequency Regulation, %	± 0.1%	
Output THD at Nominal Voltage (Linear Load), %	3%	
Output THD at nominal voltage Including a 100kVA Non Linear Load per IEC 62040-3, %	<6% (max )	
Efficiency AC-AC Double Conversion	>96%	
Transient Recovery	IEC 62040-3, section 5.3.1 Figure 1	
Voltage Displacement	120 deg +/- 1 deg (50% unbalanced load)	
Unbalanced loads current capacity	50% of nominal phase current	
Overload	110% for 10 minutes, 125% for 2 minutes, 150% for 15 seconds, 200% for 10 cycles	
<b>Physical Characteristics Single Module System</b>		
Width, Depth, Height in inches (mm)	125.2 in x 33.5 in x 76.8 in (3145 mm x 850 mm x 1950 mm)	171.7 in x 33.5 in x 76.8 in (4330 mm x 850 mm x 1950 mm)
Weight, unpackaged, lbs (kg)	5,735 lbs. (2,601 kg.)	8,050 lbs. (3,660 kg.)
Color	Black, RAL 7021	
Protection Class, UPS Enclosure	NEMA 1, IP 20 (with and without front door open)	
<b>Standards</b>		
Safety	UL 1778 4th Edition; CSA 22.2 107.3	
Surge	ANSI C62.41 B3	
Other certifications pending		



**VertivCo.com** | Vertiv Headquarters, 1050 Dearborn Drive, Columbus, OH, 43085, USA

© 2016 Vertiv Co. All rights reserved. Vertiv and the Vertiv logo are trademarks or registered trademarks of Vertiv Co. All other names and logos referred to are trade names, trademarks or registered trademarks of their respective owners. While every precaution has been taken to ensure accuracy and completeness herein, Vertiv Co. assumes no responsibility, and disclaims all liability, for damages resulting from use of this information or for any errors or omissions. Specifications are subject to change without notice.

SL- 26000 (R10/14)