

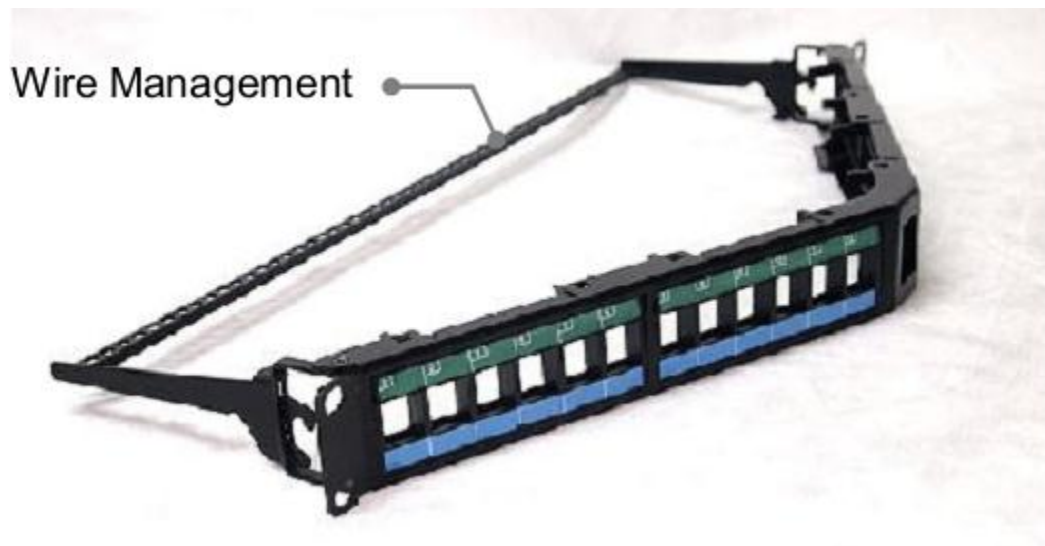
DS CODE:  
300510

**Simple™**

---

## LS Simple™ Cabling Solution

### LS-APP-SC-24P-E4-WM-C



### Description

LS Simple™ 1-Unit 24-Port Flat or Angled type 6-in-1 Module Panel

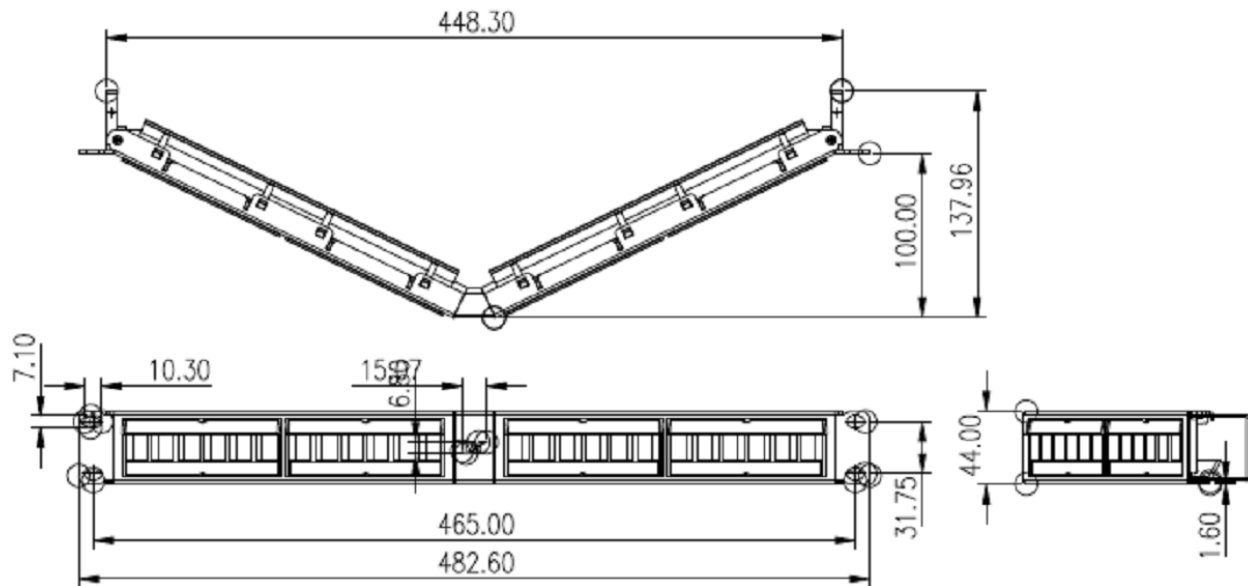
- Design for the LS dedicated Modular Jack
- Mounted on 19-inch standard rack
- 6-in-1 module for LS Fast-Net™ pre-terminated cable
- High impact flame retardant plastic module in front of panel
- RoHS compliant

# Part Numbers

Description	Part Number	Compatible Items
1-Unit Angled 24-Port for Shielded	<b>LS-APP-SC-24P-E4-WM-C</b>	Modular Jack : LS-MJ-SC5E(6)-xx-RIDC LS-MJ-SC6A-xx-ERI

## Drawing

Angled type



The drawing appearing on this page is not a warranty, and may be subject to change or modification without any prior notice.

Rev. 1.0 2/2 Page

**NGUYỄN TRUNG ĐỨC**

**ĐT: 0985 727 232 – 0888.18.3739**

**Skype: trungduc.0290**

**Email: [duc.nguyen@ulcab.com.vn](mailto:duc.nguyen@ulcab.com.vn)**