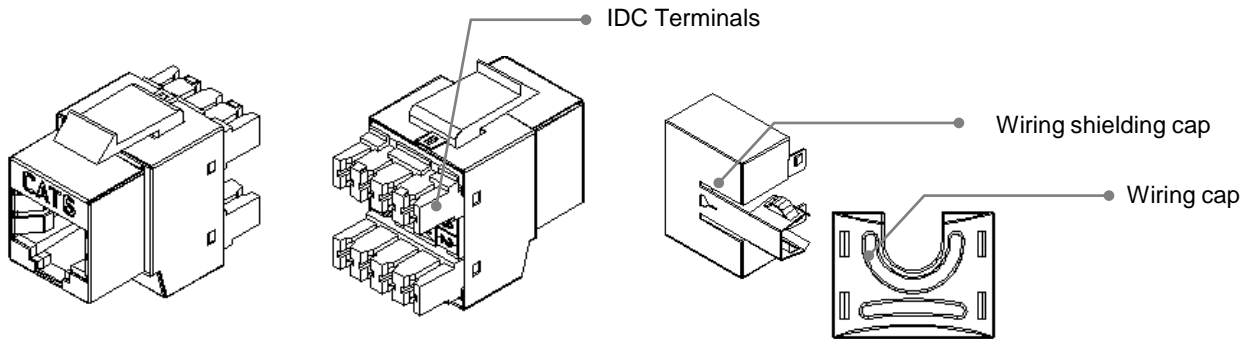


DS CODE:
200213

LS Simple™ Cabling Solution

LS-MJ-SC6-RIDC



Description

LS Simple™ Category 6 Shielded Modular Jack(RIDC)

- User instructions and basic wiring layout for standard configuration are included
- Designed and manufactured to meet demanding of international standards
- Individually terminated using slim-IDC (Insulation Displacement Connectors)
- T568A or T568B configuration
- 47 CFR part 68 (RJ-45), ANSI/TIA-568-C.2 (Category 6) and ISO/IEC 11801 compliant
- RoHS compliant
- High impact flame retardant plastic housing
- Easy & fast installation by using EZT(Easy Termination) Tool

Application

- Horizontal Distribution & Backbone Cabling
- 4/16 Mbps Token Ring (IEEE 802.5)
- 10/100/1000 BASE-T (IEEE 802.3)
- 155 Mbps
- ATM LAN 1.2G
- 100Mbps TP-PMD
- ISDN, ADSL
- Analog & digital voice(VoIP) and video
- Full broadband and baseband video

Part Numbers

Description	Dimension (H x W x D, mm)	Part Numbers	Compatible Items
Slim-Body Category 6 Shielded Modular Jack 180 degree IDC	19.2 * 14.6 * 30.1	LS-MJ-SC6-RIDC	Patch Panel : LS-PP-24P(48P)-E series Outlet : LS-FP-SA(SF)(US) series Tool : LS-EZT-TOOL-FR

LS Simple™ Cabling Solution

LS-MJ-SC6-RIDC

Technical Details

Item	Unit	Information
FEATURE		
Approvals		UL Listed
Category		ANSI/TIA-568-C.2 Category 6
Meet		47 CFR part 68
Wiring scheme		T568A/T568B
ELECTRICAL		
Current Rating	Amps	1.5
Insulation Resistance	Mega-ohm	> 500
Contact Resistance	milli-ohm	< 20
DC Resistance	ohm	< 0.1
Voltage	V _{AC}	< 150
MECHANICAL		
Insertion Life	Mating cycles	750
Pull Force	lbs(N)	20 (89)
Temperature	°C	-10 ~ 60
Humidity	% (RH)	10 ~ 90
IDC accept	AWG	22~26 (Solid wire)
PHYSICAL		
Cap & Housing		High impact flame retardant plastic, UL 94V-0
Spring Wire		Phosphor bronze plated with 50µin thick gold over 100µin thick nickel undercoat
IDC Plastic		Polycarbonate, UL 94V-0 rated
IDC Contact		Phosphor bronze plated with minimum 100µin thick tin

Drawing

