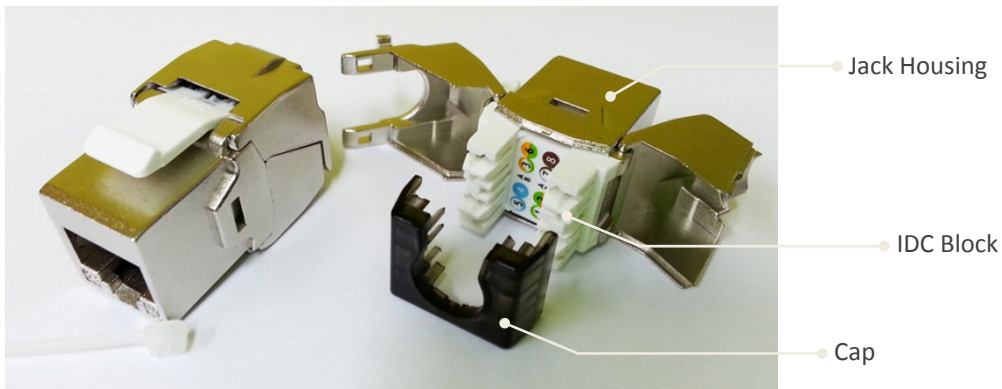


DS CODE:
200406

LS Simple™ Cabling Solution

LS-MJ-SC6A-ERI



Description

LS Simple™ Shielded Modular Jack

- User instructions and basic wiring layout for standard configuration are included
- 180 degree Enhanced Rear IDC type Modular Jack
- Designed and manufactured to meet demanding of international standards
- Individually terminated using slim-IDC (Insulation Displacement Connectors)
- T568A or T568B configuration
- 47 CFR part 68(RJ-45), ANSI/TIA-568-C.2(Category 6A) and ISO/IEC 11801 compliant
- High impact flame retardant plastic housing
- Easy installation & smart cabling arrangement by wiring cap
- UL Listed & RoHS compliant

Application

- Horizontal Distribution & Backbone Cabling
- 4/16 Mbps Token Ring (IEEE 802.5)
- 10/100/1000/10G BASE-T (IEEE 802.3)
- 155 Mbps
- ATM LAN 1.2G
- 100Mbps TP-PMD
- ISDN, ADSL
- Analog & digital voice (VoIP) and video
- Full broadband and baseband video

Part Numbers

Description	Dimension (H * W * D, mm)	Part Number	Compatible Items
Shielded Category 6A Modular Jack	19.5 * 16.4 * 36.2	LS-MJ-SC6A-ERI	Panel : LS-PP-24P(48P)-E-WM LS-PPP-SC-24P-E4-C (Plate type) LS-APP-SC-24P-E4-C (Angled type) Outlet : LS-FP-SA(SU)(SF)(US) series Tool : LS-EZT-TOOL-ER



DS CODE:
200406

LS Simple™ Cabling Solution

LS-MJ-SC6A-ERI

➤ Technical Details

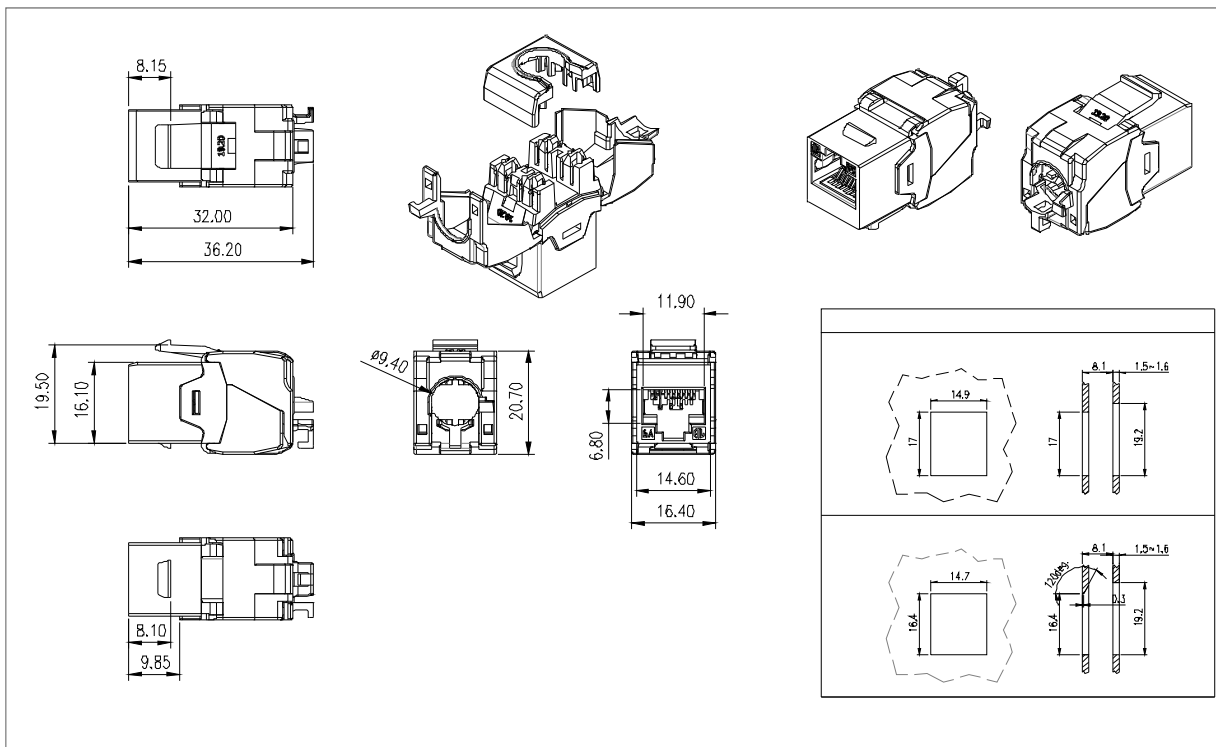
Item	Unit	Information
FEATURE		
Certified		UL Listed
Category		ANSI/TIA-568-C.2 Category 6A
Meet		47 CFR part 68
Wiring scheme		T568A/T568B
ELECTRICAL		
Current Rating	Amps	1.5
Insulation Resistance	Mega-ohm	> 500
Contact Resistance	milli-ohm	< 20
DC Resistance	ohm	< 0.1
Voltage	V _{AC}	< 150
MECHANICAL		
Insertion Life	Mating cycles	750
Pull Force	lbs(N)	20(89)
Temperature	°C	-40~68
Humidity	% (RH)	10~90
IDC accept	AWG	23~26 (Solid wire)
PHYSICAL		
Housing		Zinc die-casting, plated with nickel
Cap		Polycarbonate (PC resin), UL94V-2 rated, Transparent Black
Jack Contacts		Phosphor bronze flat wire, plated with 1.27um (50uin) Thick hard gold on contact area over nickel underplate
Contact Bracket		Polycarbonate (PC resin), UL94V-2 rated
Grounding Clip		Stainless steel
Grounding Holder		Acrylonitrile Butadiene Styrene (ABS resin), UL94V-2
PCB		FR4, UL94V-0 rated
IDC Terminals		Phosphor Bronze, plated with tin over nickel underplate
IDC Block		Polycarbonate (PC resin) + Glass Fiber, UL94V-2 rated, White

DS CODE:
200406

LS Simple™ Cabling Solution

LS-MJ-SC6A-ERI

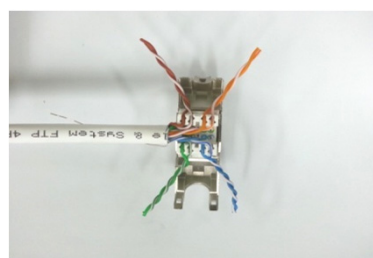
➤ Drawings



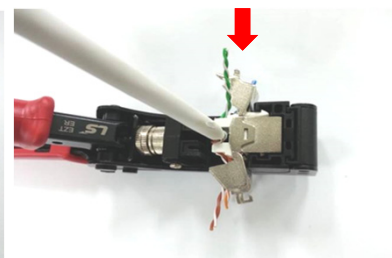
➤ Installation Manuals



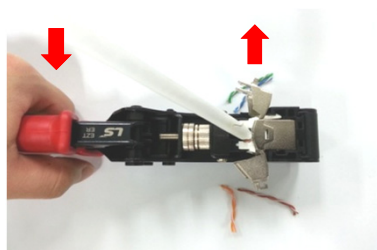
1. Termination tool with ERI modular jack



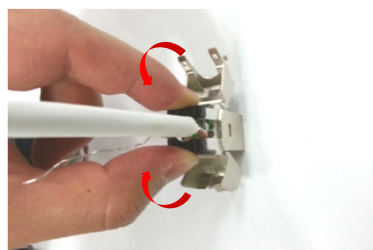
2. Place the wires into the slots according to the wire scheme.



3. Put the Modular Jack onto the EZT tool in the right position.



4. Squeeze the tool then terminate all wires and trim the excess wires at the same time.



5. Place the cap & close the wing part of ERI Modular Jack



6. Wrap the tinned copper wire around the designated position for Grd. – Completion-