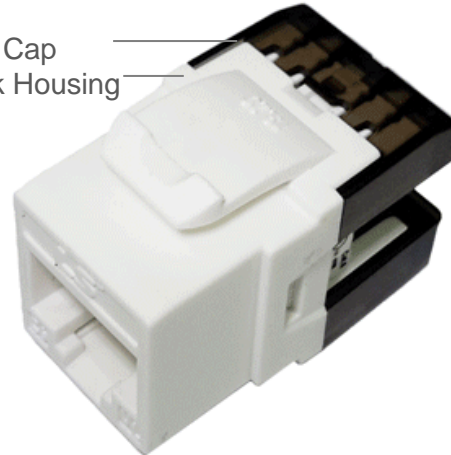


DS CODE:
200103

LS Simple™ Cabling Solution

LS-MJ-UC5E-ERI

1. IDC Cap
2. Jack Housing



Description

- User instructions and basic wiring layout for standard configuration are included
- 180 degree slim Modular Jack
- Designed and manufactured to meet demanding of international standards
- Individually terminated using slim-IDC (Insulation Displacement Connectors)
- T568A or T568B configuration
- 47 CFR part 68(RJ-45), ANSI/TIA-568-C.2(Category 5e) and ISO/IEC 11801 compliant
- High impact flame retardant plastic housing
- Easy installation & smart cabling arrangement by wiring cap
- RoHS compliant

Application

- Horizontal Distribution & Backbone Cabling
- 4/16 Mbps Token Ring (IEEE 802.5)
- 10/100/1000 BASE-T (IEEE 802.3)
- ATM 155.52 Mbps
- 100Mbps TP-PMD
- ISDN, ADSL
- Analog & digital voice (VoIP) and video
- Full broadband and baseband video

Part Numbers

Description	Dimension (H x W, inch)	Part Numbers	Compatible Items
Unshielded Category 5e Modular Jack White color	19.3 * 16.8 * 29.0	LS-MJ-UC5E-WH-ERI	Panel : LS-PP-24P(48P)-E-WM LS-PPP-UC-24P-E4-C (Plate type) LS-APP-UC-24P-E4-C (Angled type) Outlet : LS-FP-SA(SF)(US) series Tool : LS-EZT-TOOL-ER
Unshielded Category 5e Modular Jack black color	19.3 * 16.8 * 29.0	LS-MJ-UC5E-BK-ERI	
Unshielded Category 5e Modular Jack blue color	19.3 * 16.8 * 29.0	LS-MJ-UC5E-BL-ERI	
Unshielded Category 5e Modular Jack red color	19.3 * 16.8 * 29.0	LS-MJ-UC5E-RD-ERI	
Unshielded Category 5e Modular Jack green color	19.3 * 16.8 * 29.0	LS-MJ-UC5E-GN-ERI	
Unshielded Category 5e Modular Jack yellow color	19.3 * 16.8 * 29.0	LS-MJ-UC5E-YL-ERI	

DS CODE:
200103

LS Simple™ Cabling Solution

LS-MJ-UC5E-xx-ERI

➤ Technical Details

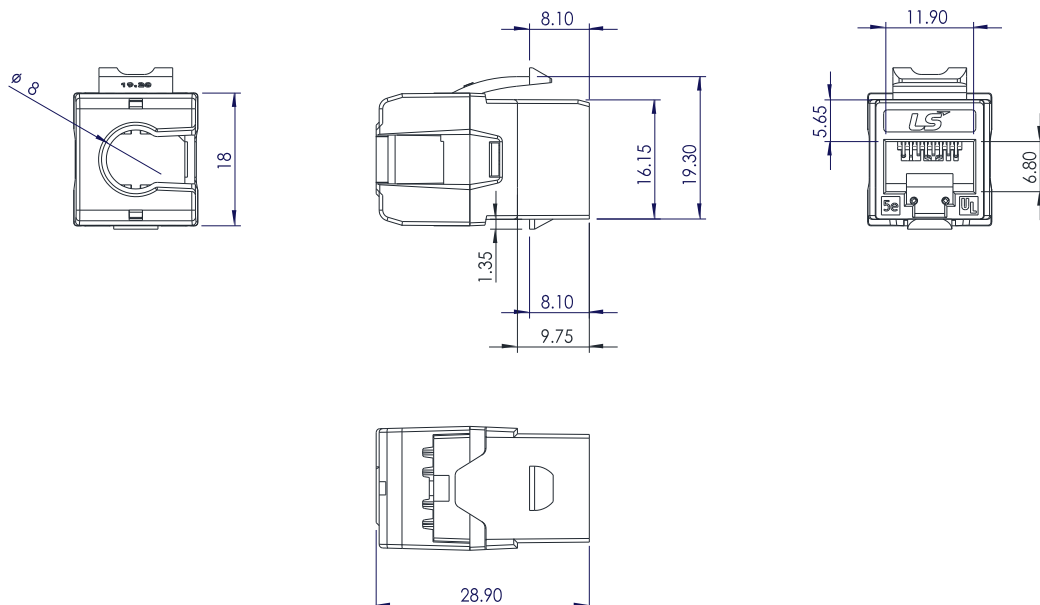
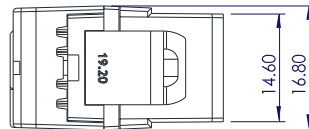
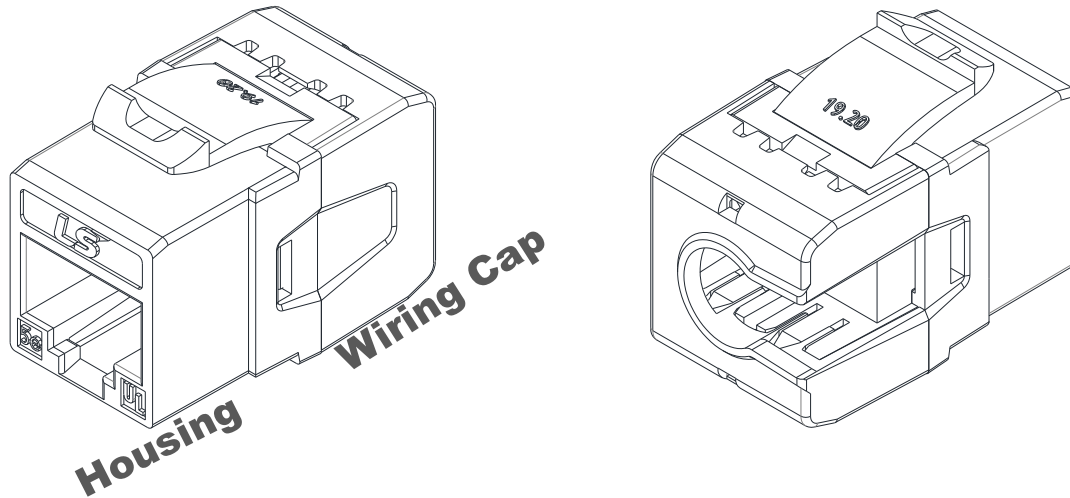
Item	Unit	Information
FEATURE		
Approvals		UL Listed
Category		ANSI/TIA-568-C.2 Category 5e
Meet		47 CFR part 68
Wiring scheme		T568A/T568B
ELECTRICAL		
Current Rating	Amps	1.5
Insulation Resistance	Mega-ohm	> 500
Contact Resistance	milli-ohm	< 20
DC Resistance	ohm	< 0.1
Voltage	VAC	< 150
MECHANICAL		
Insertion Life	Mating cycles	750
Pull Force	lbs(N)	20(89)
Temperature	°C	-40 ~ 68
Humidity	% (RH)	10 ~ 90
IDC accept	AWG	23~26 (Solid wire)
PHYSICAL		
Cap		Polycarbonate (PC resin), UL 94V-2 rated, Transparent Black
Housing		Acrylonitrile Butadiene Styrene (ABS resin) + Polycarbonate (PC resin)
Jack Contacts		UL94V-0 rated
Contact Bracket		Phosphor bronze flat wire, plated with 1.27um (50uin) thick hard gold on contact area over nickel underplate
PCB		Polycarbonate (PC resin), UL94V-2 rated
IDC Terminals		FR4, UL94V-0 rated
IDC Block		Phosphor Bronze, plated with tin over nickel underplate Polycarbonate (PC resin) + Glass Fiber, UL94V-2 rated

DS CODE:
200103

LS Simple™ Cabling Solution

LS-MJ-UC5E-xx-ERI

➤ Drawing



DS CODE:
200103

LS Simple™ Cabling Solution

LS-MJ-UC5E-xx-ERI

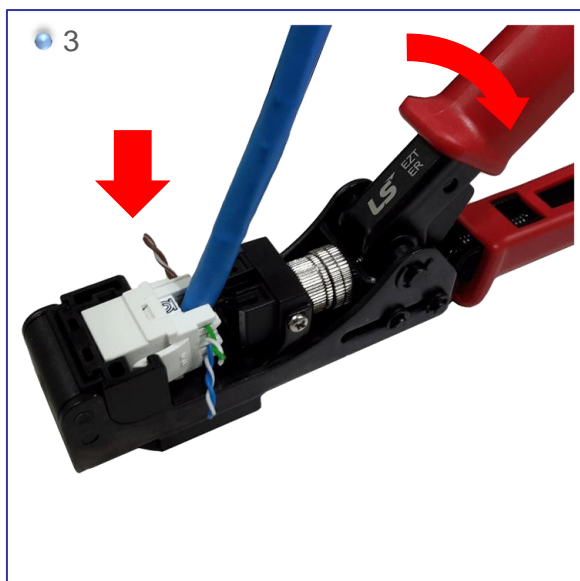
Installation



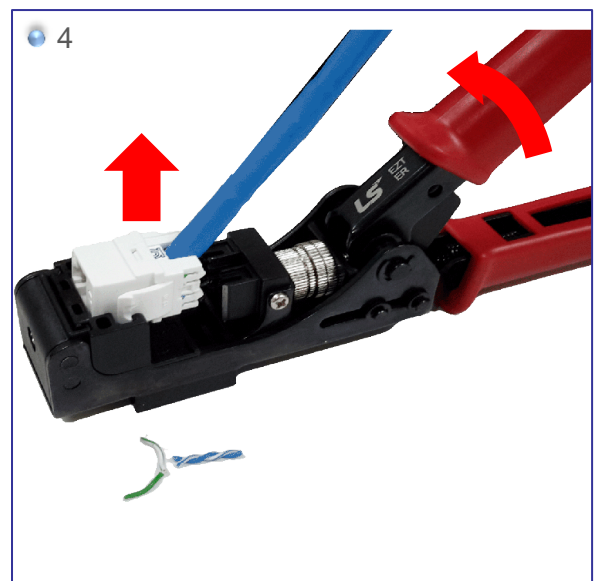
1. Prepare the Easy Termination with ERI Modular Jack.



2. Place the wires into the slots according to the wire scheme.



3. Put the Keystone Jack onto the Easy Tool in the right position and then squeeze the tool then terminate all wires and trim the excess wires at the same time.



4. Remove the Keystone Jack vertically away from the termination tool.