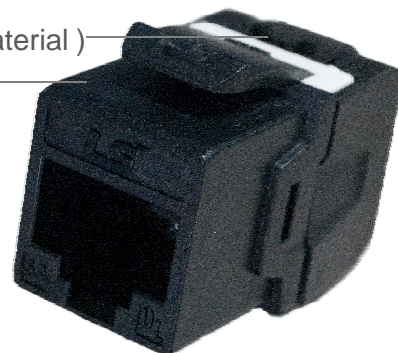


DS CODE:
200104

LS Simple™ Cabling Solution

LS-MJ-UC6A-ERI

1. IDC Cap(special material)
2. Jack Housing



Description

- User instructions and basic wiring layout for standard configuration are included
- 180 degree slim Modular Jack
- Designed and manufactured to meet demanding of international standards
- Individually terminated using slim-IDC(Insulation Displacement Connectors)
- T568A or T568B configuration
- 47 CFR part 68(RJ-45), ANSI/TIA-568-C.2(Category 6A) and ISO/IEC 11801 compliant
- High impact flame retardant plastic housing
- Easy installation & smart cabling arrangement by wiring cap
- RoHS compliant

Application

- Horizontal Distribution & Backbone Cabling
- 4/16 Mbps Token Ring (IEEE 802.5)
- 10/100/1000 BASE-T (IEEE 802.3)
- ATM 155.52 Mbps
- 10GBAST-T(IEEE 802.3)
- 100Mbps TP-PMD
- ISDN, ADSL
- Analog & digital voice(VoIP) and video
- Full broadband and baseband video

Part Numbers

| Description | Dimension (H x W, inch) | Part Numbers | Compatible Items |
|---|-------------------------|-------------------|--|
| Unshielded Category 6A Modular Jack White color | 19.3 * 16.8 * 29.0 | LS-MJ-UC6A-WH-ERI | Panel : LS-PP series LS-APP series LS-PPP series |
| Unshielded Category 6A Modular Jack black color | 19.3 * 16.8 * 29.0 | LS-MJ-UC6A-BK-ERI | |
| Unshielded Category 6A Modular Jack blue color | 19.3 * 16.8 * 29.0 | LS-MJ-UC6A-BL-ERI | Outlet : LS-FP-SA(SF)(US) series |
| Unshielded Category 6A Modular Jack red color | 19.3 * 16.8 * 29.0 | LS-MJ-UC6A-RD-ERI | Tool : LS-EZT-TOOL-ER |

DS CODE:
200104

LS Simple™ Cabling Solution

LS-MJ-UC6A-xx-ERI

Technical Details

| Item | Unit | Information |
|--------------------|---------------|---|
| FEATURE | | |
| Approvals | | UL Listed |
| Category | | ANSI/TIA-568-C.2 Category 6A |
| Meet | | 47 CFR part 68 |
| Wiring scheme | | T568A/T568B |
| ELECTRICAL | | |
| Current Rating | Amps | 1.5 |
| Insulation | Mega-ohm | > 500 |
| Resistance | milli-ohm | < 20 |
| Contact Resistance | ohm | < 0.1 |
| DC Resistance | VAC | < 150 |
| Voltage | | |
| MECHANICAL | | |
| Insertion Life | Mating Cycles | 750 |
| Pull Force | lbs(N) | 20(89) |
| Temperature | °C | -40 ~ 68 |
| Humidity | % (RH) | 10 ~ 90 |
| IDC accept | AWG | 23~26 (Solid wire) |
| PHYSICAL | | |
| Cap | | Polyamide (PA resin)+Glass Fiber, UL 94V-0 rated, Black |
| Housing | | Acrylonitrile Butadiene Styrene (ABS resin) + Polycarbonate (PC resin) UL94V-0 rated |
| Jack Contacts | | |
| Contact Bracket | | Phosphor bronze flat wire, plated with 1.27um (50uin) thick hard gold on contact area over nickel underplate Polycarbonate (PC resin), UL94V-2 rated |
| PCB | | FR4, UL94V-0 rated |
| IDC Terminals | | Phosphor Bronze, plated with tin over nickel underplate |
| IDC Block | | Polycarbonate (PC resin) + Glass Fiber, UL94V-2 rated |

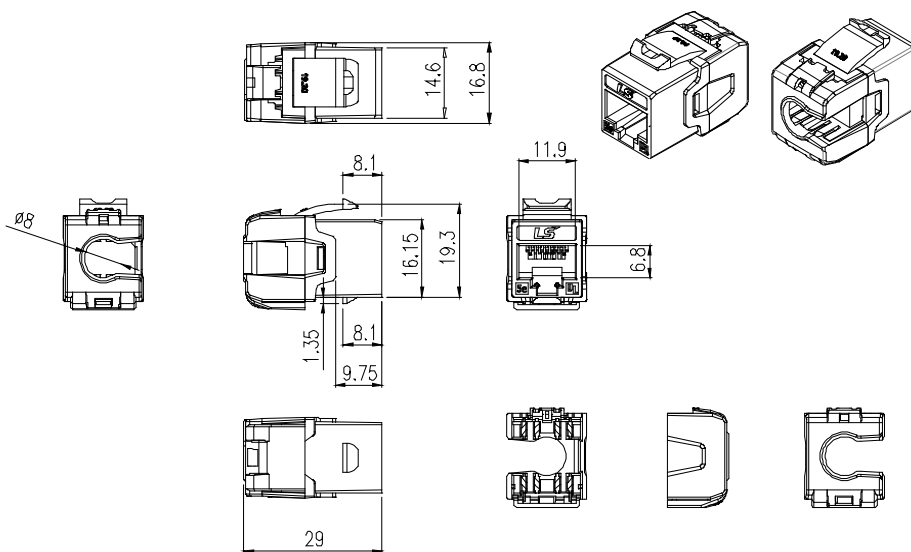
The drawing appearing on this page is not a warranty, and may be subject to change or modification without any prior notice.

DS CODE:
200104

LS Simple™ Cabling Solution

LS-MJ-UC6A-xx-ERI

➤ Drawing



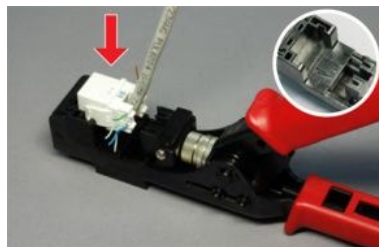
➤ Installation



1. Termination tool with ERI modular jack



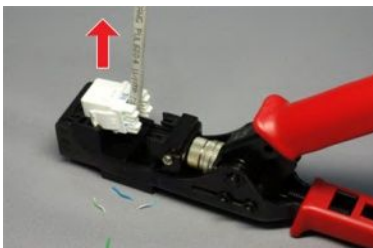
2. Place the wires into the slots according to the wire scheme.



3. Put the Modular Jack onto the EZT tool in the right position.



4. Squeeze the tool then Terminate all wires and trim the excess wires at the same time.



5. Remove the Modular Jack vertically away from the EZT tool.



6. Place the cap and be completion.



* Cable direction: In case of using in back box