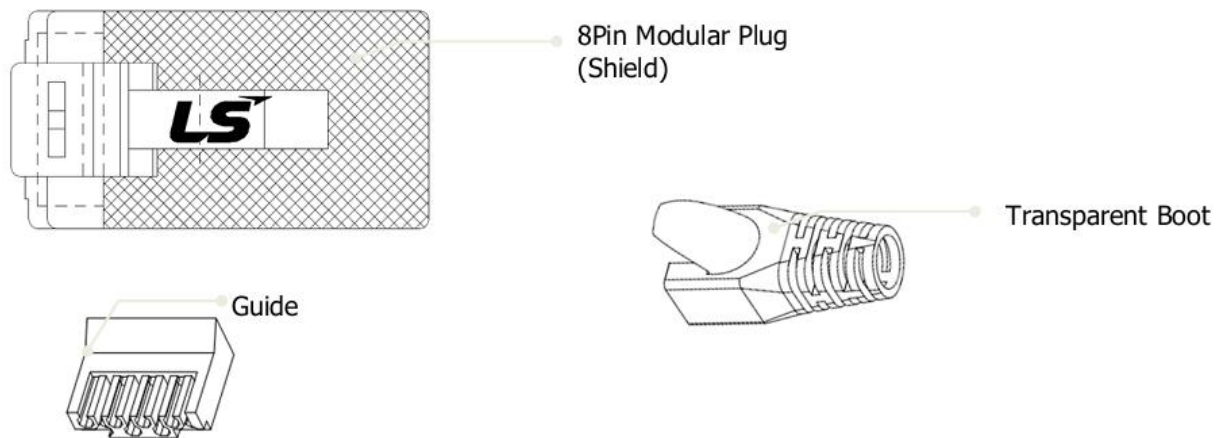


DS CODE:
500201

Simple™

LS Simple™ Cabling Solution

LS-MP-SC5E-RJ45-TRBOOT



Description

LS Simple

Shielded Category 5e or Category 6 Modular Plug has 8-pin connection and complies with RJ45 plug specification of FCC CFR 47 part 68. and it include the cable guide and transparent boot for reliability of connection & assembly.

Application

- Horizontal Distribution & Backbone Cabling
- 4/16 Mbps Token Ring (IEEE 802.5)
- 10/100/1000 BASE-T (IEEE 802.3)
- 155 Mbps
- 100Mbps TP-PMD
- ISDN, ADSL
- Analog & Digital voice(VoIP) and video
- Full broadband and baseband video
- RoHS compliant

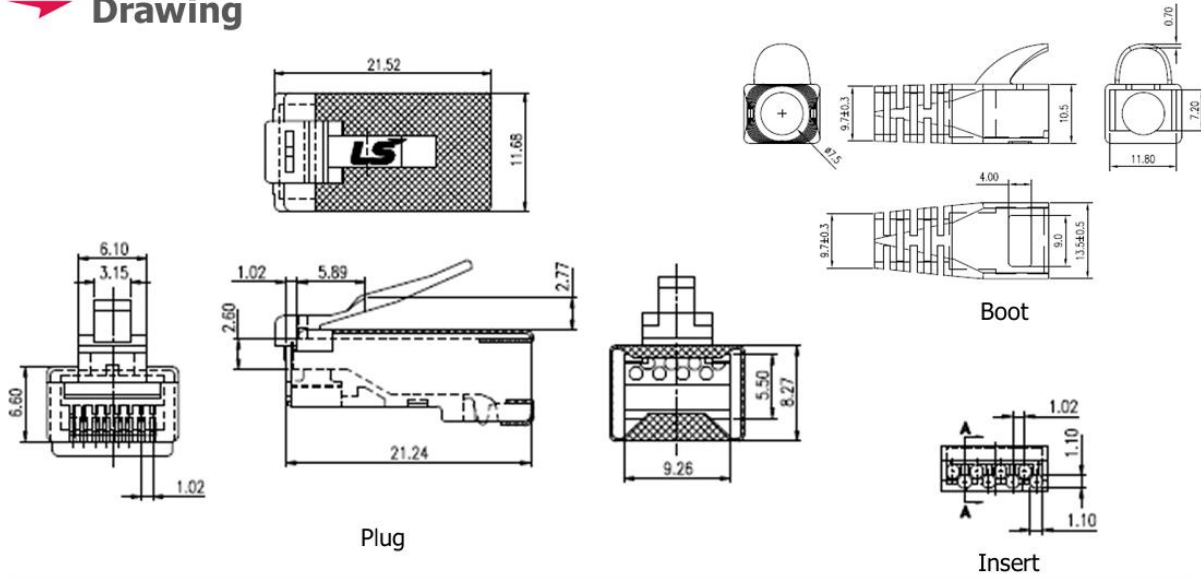
Technical Details

Item	Unit	Specification
FEATURE		
Approvals		UL Certified
Category		ANSI/TIA-568-C.2 Category5e
Wiring scheme		FCC CFR 47 part 68 and IEC 603-7
ELECTRICAL		
Current Rating	Amps	1.5
Insulation Resistance	Mega-ohm	> 500
Contact Resistance	milli-ohm	< 20
Dielectric Strength	VAC (RMS)	1000
Rated Voltage, Current	VAC max	< 30VAC at1.5A
MECHANICAL		
Insertion Life	Mating cycles	750
Pull Force	lbs(N)	20(89)
Temperature	°C	-20 ~ 68
Humidity	% (RH)	10 ~ 90
Contact Accept	AWG	0.41mm(26AWG) ~ 0.51mm(24AWG)
PHYSICAL		
Insert & Plug Housing		High-impact Polycarbonate (PC), UL 94V-2 rated
Contact Blade		Phosphor bronze plated with 50uin thick gold over nickel undercoat
Boot		Polyvinyl Chloride (PVC), Transparent

Part Numbers

Description	Dimension (H x W x D, mm)	Part Number
8P8C RJ45 Shielded Cat.5e Modular Plug with transparent boot	8.3 x 11.7 x 21.5	LS-MP-SC5E-RJ45-TRBOOT

Drawing



LS Cable&System

The drawing appearing on this page is not a warranty, and may be subject to change or modification without any prior notice.

Rev. 1.0 2/2page

NGUYỄN TRUNG ĐỨC

ĐT: 0985 727 232 – 0888.18.3739

Skype: trungduc.0290

Email: duc.nguyen@ulcab.com.vn