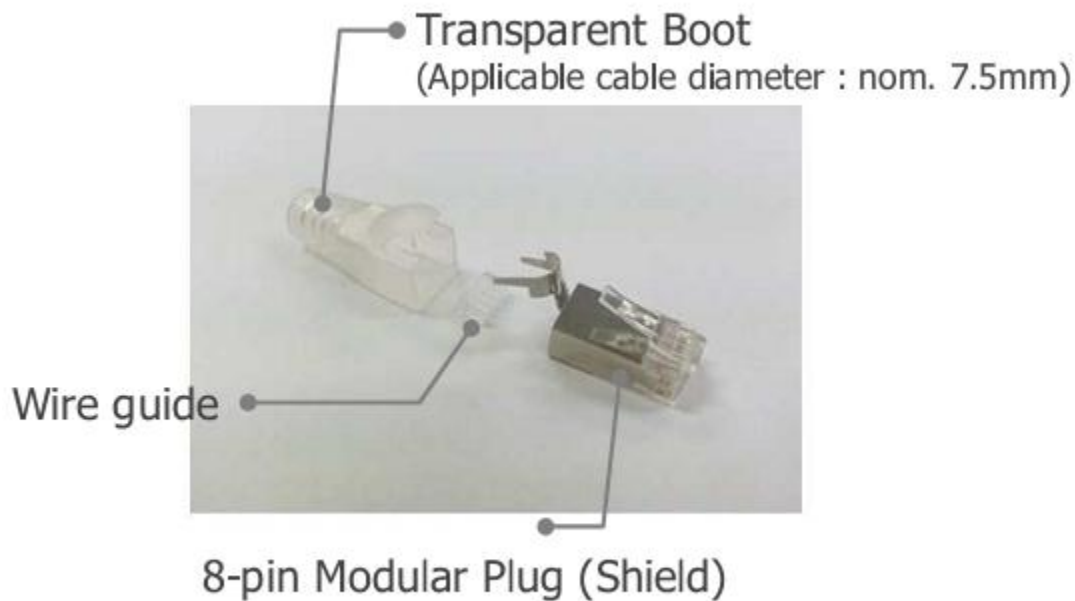


DS CODE:
500206

Simple™

LS Simple™ Cabling Solution

LS-MP-SC6-RJ45-TRBOOT-A



Description

LS Simple

Shielded Category 6 above modular plug has 8P8C connection and complies with RJ45 plug specification of FCC CFR 47 part 68. And it include the cable guide and transparent boot for reliability of connection & assembly.

Application

- Horizontal Distribution & Backbone Cabling
- 4/16 Mbps Token Ring (IEEE 802.5)
- 10/100/1000/10G BASE-T (IEEE 802.3)
- 155 Mbps ATM
- 100Mbps TP-PMD
- ISDN, ADSL
- Analog & Digital voice (VoIP) and video
- Full broadband and baseband video

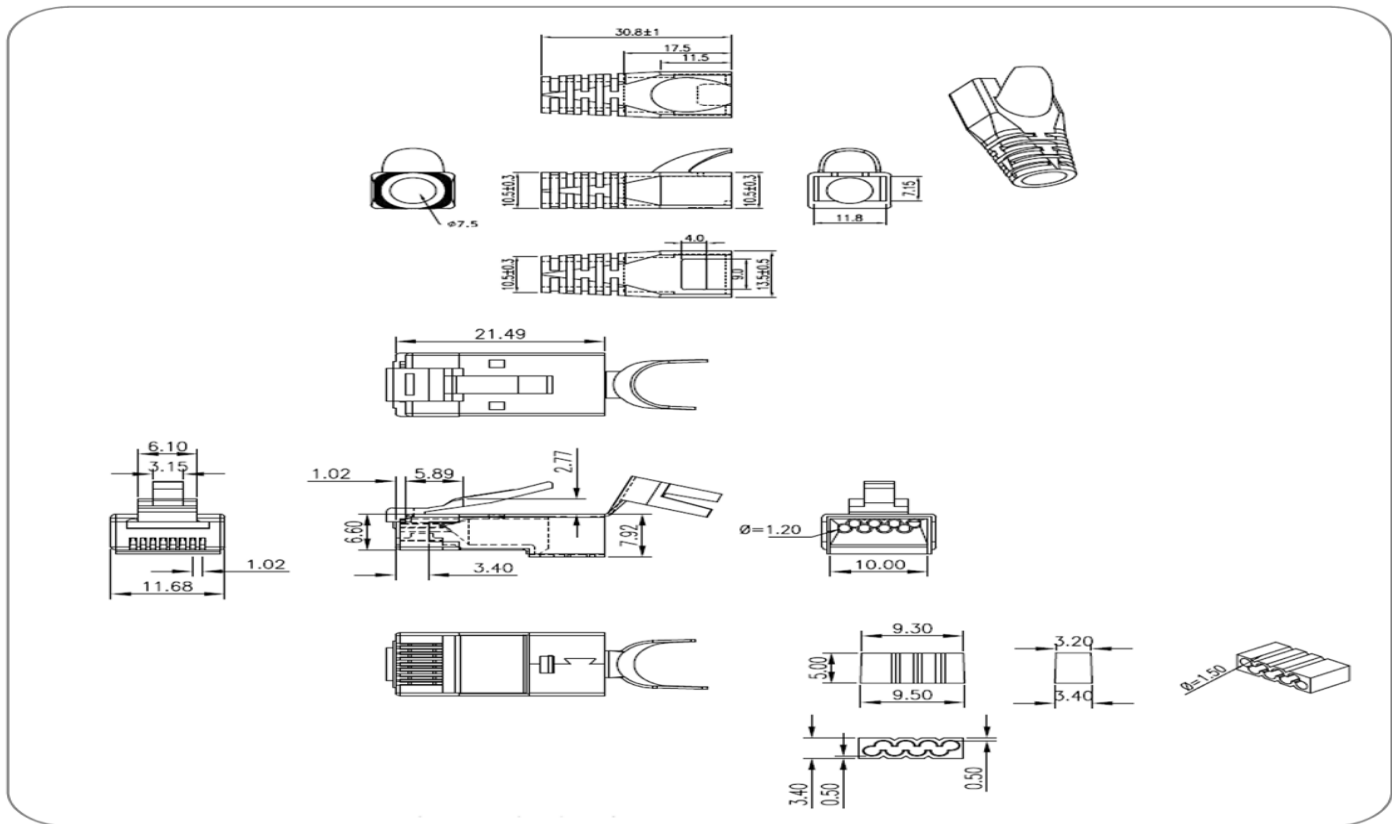
Technical Details

Item	Unit	Specification
FEATURE		
Approvals		UL Certified
Category		ANSI/TIA-568-C.2 (Category 6 or 6A)
Meet		FCC CFR 47 Part 68 and IEC 60603-7
Wiring scheme		T568A/T568B
ELECTRICAL		
Current Rating	Amps	1.5
Insulation Resistance	Mega-ohm	> 500
Contact Resistance	milli-ohm	< 20
Dielectric Strength	VAC (RMS)	1000
Rated Voltage, Current	VAC max	< 30 at 1.5A
MECHANICAL		
Insertion Life	Mating cycles	750
Pull Force	lbs(N)	20 (89)
Temperature	°C	-20 ~ 68
Humidity	% (RH)	10 ~ 90
IDC Contact Accept	mm	0.41mm(26AWG) ~ 0.51(24AWG)
Insulation Diameters	mm	1.05mm ~ 1.15mm
Cable Diameters	mm	5mm ~ 7.8mm
PHYSICAL		
Plug Housing		High-impact Polycarbonate (PC), UL 94V-0 rated transparent
Contact Blade		Copper Alloy, plated with 1.27um (50uin) thick hard gold over nickel underplate in contact area
Overall Shield		Copper Alloy
Boot		Polyvinyl Chloride (PVC), Transparent UL 94 V-0 rated

Part Numbers

Description	Part Number
Category 6 above Shielded RJ45 Modular Plug with Transparent Boot (applicable cable diameter : nom. 7.5mm)	LS-MP-SC6-RJ45-TRBOOT-A

Drawing



NGUYỄN TRUNG ĐỨC

ĐT: 0985 727 232 – 0888.18.3739

Skype: trungduc.0290

Email: duc.nguyen@ulcab.com.vn