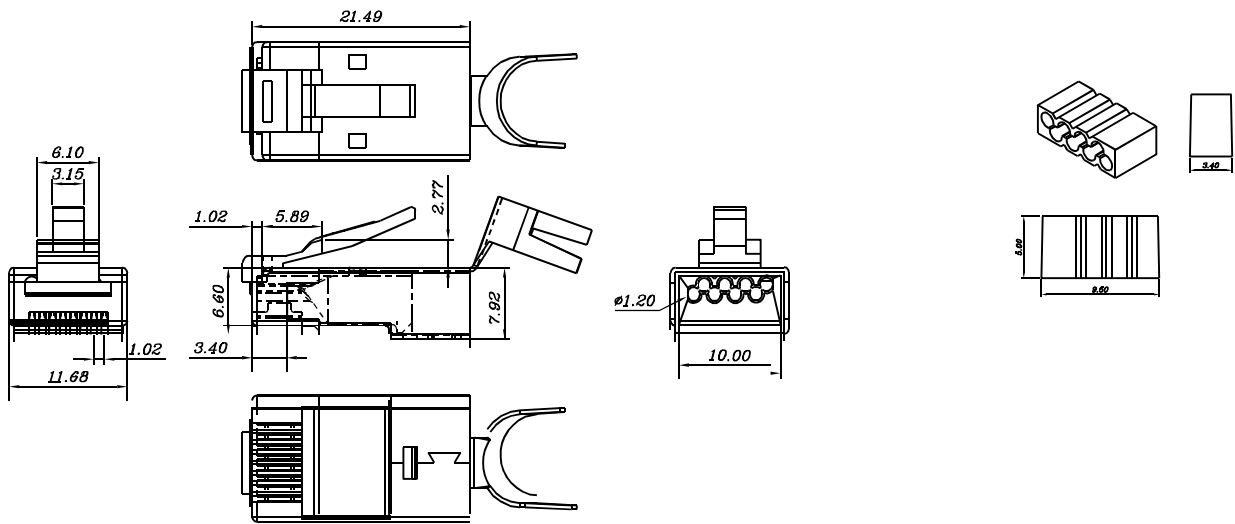




## Cat 6 Shielded RJ45 Plug 8P8C 1.2mm 50µm



### Electrical

- UL applications: 250 Volts AC max., at 2 Amps
- Dielectric withstanding voltage : 500 Volts AC
- Insulation resistance: 100 MΩ
- Termination: resistance 20mΩ max

### Mechanical

- Cable-to-plug tensile strength : 20 pound min.
- Durability : 200 mating cycles.

### Material & Finish

- Housing: Polycarbonate, ul94v-0
- Color : Transparent
- Contact blade: Copper alloy.
- Conductor : stranded & solid wire 22-24AWG (it can be used for the wire O.D. from  $\phi$  1.05~ $\phi$ 1.15)
- Gold plating: 50u"

Part Number #	Description
302-203F06-1250	Cat 6 Shielded RJ45 Plug 8P8C 1.2mm 50µm

Recommended Tool : 302-094591-0000 Cat 6 FTP Plug Crimper (for 1.2-1.5mm O.D. wire)