



## Industrial Media Converter

### IMC101

#### ◆ 1-port 10/100M Industrial Media Converter (12V~48VDC)

##### ➤ Features

- IEEE802.3/802.3u/802.3x,store and forward
- Provide 1 port 10/100Base-TX and 1 port 100M optic fiber
- 10/100M, F/H duplex, MDI/MDI-X auto negotiation
- -40 to 75°C operating temperature range
- Designed for industrial applications. IP30 protection,
- rugged high-strength metal case, DIN rail mount
- Plug-and-play, easy to installation



##### ➤ Introduction

IMC101 is a fast 10/100Base-TX Industrial Ethernet Media Converter, easy to connect server, repeater, switch, device to device, Can satisfy customers require for long distance, high speed, wide broadcast. Beside this, IMC101 supports electric working mode/rate setting.

IMC101 series support 1 TP ports and 1 fiber ports. TP(RJ45) support 10/100Base-T(X), Full/Half duplex mode, and auto MDI/MDI-X connection; 100BaseFX supports single-/multi-mode, SC/ST connector, optional.

IMC101 adopts industry standard design, IP30 protection, rugged high-strength metal case, power supply input(12V~48VDC), -40 to 75°C working temperature.

##### ➤ Application

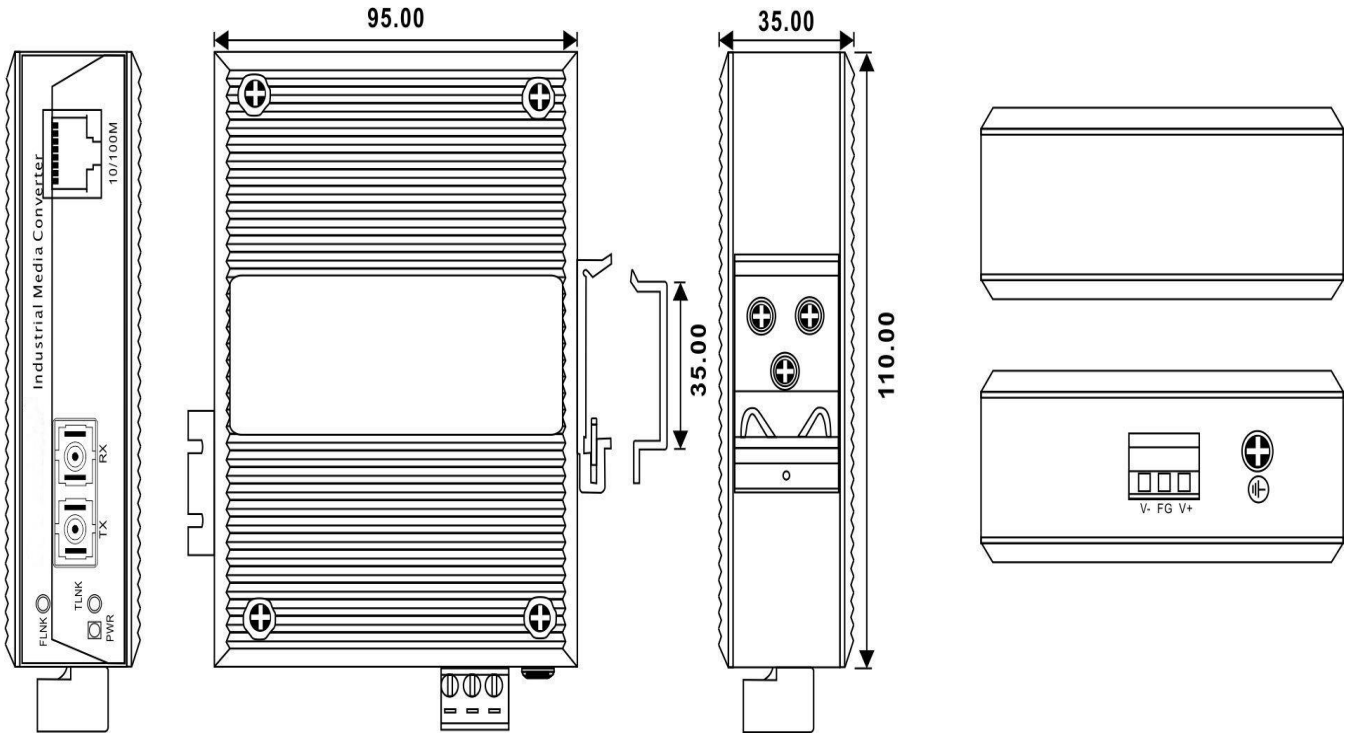
- Intelligent Transportation System
- Connection of Sub-network for Surveillance Center
- Power system applications
- High Way & Toll Station Surveillance
- Transformer Substation Communication System
- Oil of GPRS data acquisition system



## ➤ Specification

| <b>Technology</b>              |  |
|--------------------------------|--|
| Standards                      | IEEE802.1 10Base-T, IEEE802.3u, 100Base-TX, IEEE802.3 100Base-FX   |
| RJ45 port rate                 | 10/100BaseT(X) auto connection, F/H duplex or force work mode and support MDI/MDI-X connection   |
| Fiber Ports                    | 100BaseFX ports (SC/ST optional)<br>Single-mode: 20, 40,60, 80, 120Km,optional<br>Multi-mode: 2Km,Wavelength: 850nm, 1310nm, 1550nm  |
| Typical 100Base-FX             | Multi-mode: 155Mbps, 1310nm, 2Km,average output $\geq$ -18dBm,sensitivity $\leq$ -35dBm<br>Single-mode: 155Mbps, 1310nm, 20Km,average output $\geq$ -12dBm, sensitivity $\leq$ -36dBm            |
| Power                          |  |
| Input Voltage                  | 24VDC (12VDC~48VDC)  |
| Opposite connection protection |  |
| Connector                      | 3 bit 7.62mm terminal block  |
| <b>Consumption</b>             |  |
| No load consumption            | 1.2W@24VDC   |
| Full load consumption          | 1.368W@24VDC   |
| Indicator                      |  |
| Port indicator                 | TLINK, FLINK   |
| Power indicator                | PWR  |
| <b>Mechanical</b>              |  |
| Dimensions                     | 110mm×35mm×95mm (H×W×D)  |
| Casing                         | IP40 protection, Metal case  |
| Weight                         | 340g   |
| Environmental                  |  |
| Operating Temperature          | -40 to 75 ℃  |
| Storage Temperature            | -45 to 85 ℃  |
| Ambient Relative Humidity      | 10% to 95% (non-condensing)  |
| Approvals                      |  |
| EMI                            | FCC Part 15, CISPR (EN55022) class A   |
| EMS                            | EN61000-4-2(ESD), level 4<br>EN61000-4-3(RS), level 4<br>EN61000-4-4(EFT), level 4<br>EN61000-4-5 (Surge), level 4<br>EN61000-4-6 (CS), level 4<br>EN61000-4-8, level 4<br>EN61000-4-11, level 4 |
| Shock                          | IEC 60068-2-27 PASS  |
| Free Fall                      | IEC 60068-2-32 PASS  |
| Vibration                      | IEC 60068-2-6 PASS   |
| Warranty                       | 5 years  |

## ➤ Dimension



## ➤ Ordering Information

| Model NO.     | Description   |
|---------------|---|
| IMC101W-M     | Multi-mode, 2Km, 12~48VDC, SC/ST optional                 |
| IMC101W-S-20  | Single-mode, 20Km, 12~48VDC, SC/ST optional               |
| IMC101W-S-40  | Single-mode, 40Km, 12~48VDC, SC/ST optional               |
| IMC101W-S-60  | Single-mode, 60Km, 12~48VDC, SC/ST optional               |
| IMC101W-S-80  | Single-mode, 80Km, 12~48VDC, SC/ST optional               |
| IMC101W-S-100 | Single-mode, 100Km, 12~48VDC, SC/ST optional              |
| IMC101W-S-120 | Single-mode, 120Km, 12~48VDC, SC/ST optional              |
| IMC101W-SS-20 | Single-mode, single fiber, 20Km, 12~48VDC, SC/ST optional |
| IMC101W-SS-40 | Single-mode, single fiber, 40Km, 12~48VDC, SC/ST optional |
| IMC101W-SS-60 | Single-mode, single fiber, 60Km, 12~48VDC, SC/ST optional |
| IMC101W-SS-80 | Single-mode, single fiber, 80Km, 12~48VDC, SC/ST optional |

## ➤ Packing List

- Industrial Media Converter IMC101series (plus terminal block)×1
- User manual ×1
- DIN-Rail fittings ×1
- Warranty card