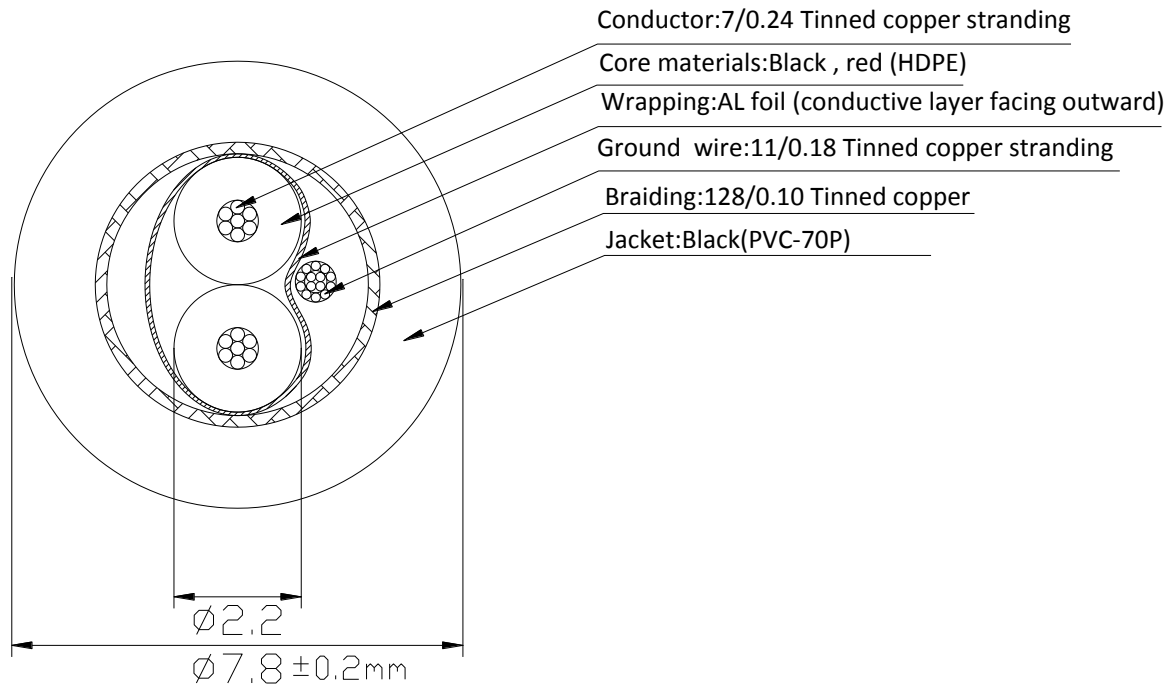



# CABLE SPECIFICATION

Sectional view:



Coding content:

 ALTEK KABEL RS485 1 PAIR 22AWG SCREENED LOW CAPACITANCE COMPUTER CABLE + Meter

<b>Model</b>	RS485 1P×22AWG+B	
<b>Conductor</b>	7/0.24 Tinned copper stranding	
<b>Maximum conductor resistance <math>\Omega</math> / KM (20 °C)</b>	60.7	
<b>ID</b>	2.2±0.1mm	
<b>Core color</b>	Black, red	
<b>Insulation Materials</b>	HDPE	
<b>Synchronization completed</b>	<b>Stranding</b>	Two-core stranding
	<b>Wrapping</b>	Aluminum foil (conductive layer facing outward)
	<b>Ground wire</b>	11/0.18 Tinned copper stranding
<b>braiding</b>	128/0.10 Tinned copper	
<b>Jacket</b>	Black (PVC-70P)	
<b>OD</b>	7.8±0.2mm	
<b>Sheath thickness</b>	1.4mm	
<b>Rated voltage</b>	300/300V	
<b>Processing methods and scope</b>	Cabling project, without processing	

Customer Confirm:

<b>Draw</b>	<b>Audit</b>	<b>Approved</b>

**SHENZHEN HAILUTONG WIRE&CABLE CO.,LTD**