

DS CODE:
500216

LS Simple™ Cabling Solution



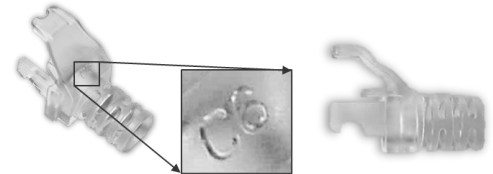
LS Part No. LS-MP-UC6-RJ45-CV(-WB)

Description

- Unshielded RJ45 8P8C Modular Plug
- Compatible with LS UTP Category 6 Cable (Category 6 channel performance with assembly)
- Complies with CFR 47 part 68.5. (Connector standard)
- Wire insertion guide structure in housing
- No accessory included except boot
- LS unique design short type boot (optional)
- Easy to check the type by embossed engraving on boot
- Transparent color housing & boot



Easy wire insertion structure



Compact design boot - optional ('C6' embossed engraving)

Application

- Horizontal Distribution & Backbone Cabling
- 4/16 Mbps Token Ring (IEEE 802.5)
- 10/100/1000BASE-T (IEEE 802.3)
- 155 Mbps ATM
- 100Mbps TP-PMD
- ISDN, ADSL
- Analog & Digital voice (VoIP) and video
- Full broadband and baseband video

Part Numbers

Description	Part Number
Category 6 Unshielded RJ45 Modular Plug, Guide all-in-one type, Transparent, without boot	LS-MP-UC6-RJ45-CV
Category 6 Unshielded RJ45 Modular Plug, Guide all-in-one type, Transparent, with boot	LS-MP-UC6-RJ45-CV-WB

DS CODE:
500216

LS Simple™ Cabling Solution

LS Part No. LS-MP-UC6-RJ45-CV(-WB)

➤ Technical Details

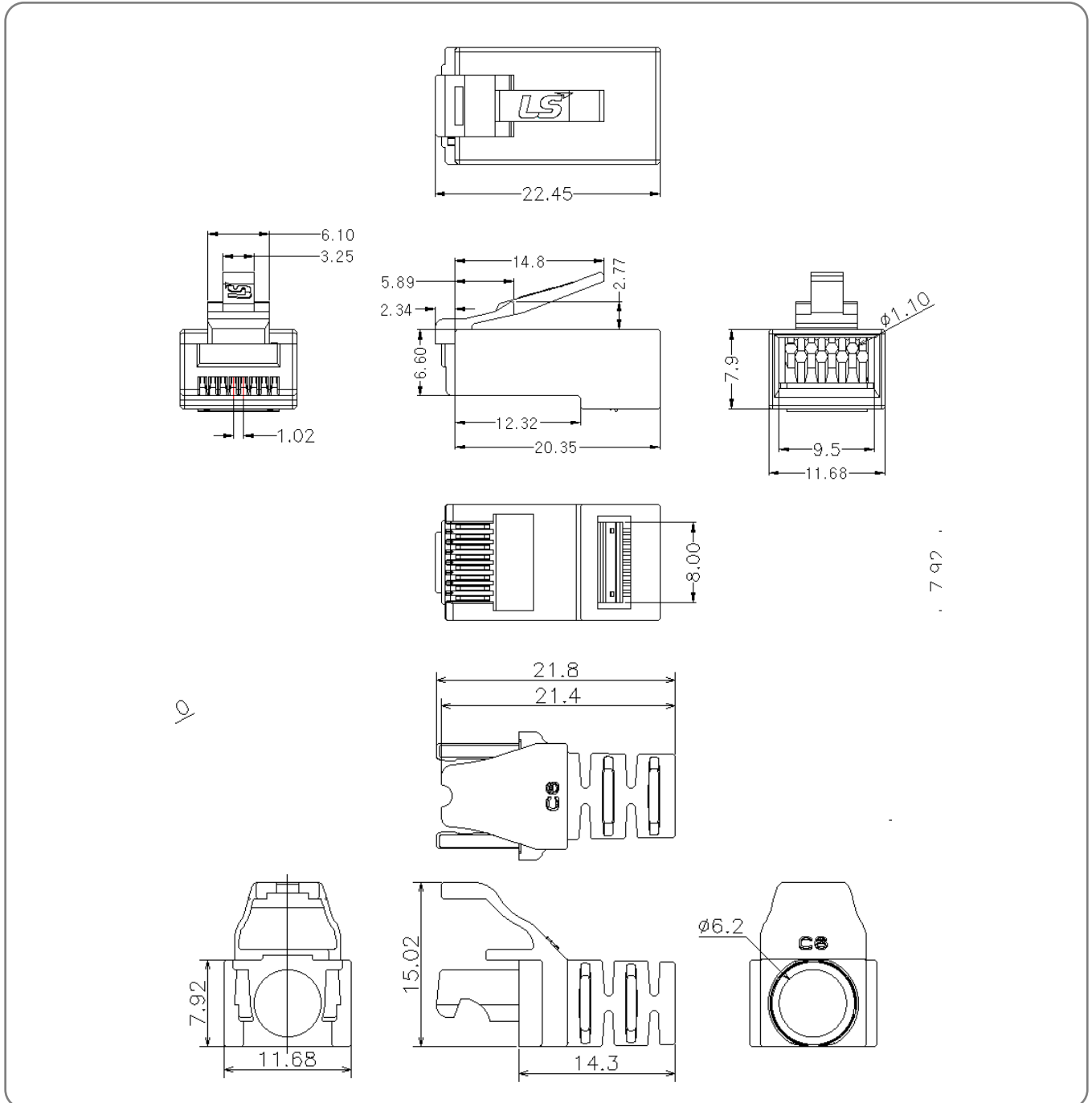
Item	Unit	Specification
FEATURE		
Category		ANSI/TIA-568.2-D (Category 6)
Meet		CFR title 47 Part 68.5 and IEC 60603-7
Wiring scheme		T568A/T568B
ELECTRICAL		
Current Rating	Amps	1.5
Insulation Resistance	Mega-ohm	> 500
Contact Resistance	milli-ohm	< 20
Dielectric Strength	V _{AC} (RMS)	1000
Rated Voltage, Current	V _{AC} max.	< 30 at 1.5A
MECHANICAL		
Insertion Life	Mating cycles	750
Pull Force	N	20 (89)
Temperature	°C	-40~85
Humidity	% (RH)	10 ~ 90
Insulation hole diameter	mm	1.1mm
PHYSICAL		
Plug Housing		High-impact Polycarbonate (PC), UL 94V-2 rated transparent
Contact Blade		Brass, plated with 50 micro inches thick hard gold over nickel underplate on contact area 3-prong IDC
Boot		High-impact Polycarbonate (PC), UL 94V-2 rated transparent

DS CODE:
500216

LS Simple™ Cabling Solution

LS Part No. LS-MP-UC6-RJ45-CV(-WB)

➤ Drawing



DS CODE:
500216

LS Simple™ Cabling Solution

LS Part No. LS-MP-UC6-RJ45-CV(-WB)

➤ Packing

Part no.	Packing			
	Polybag (140*220mm)	inner box (345*145*145mm)	Outer Box (455*310*370mm)	Pallet
LS-MP-UC6-RJ45-CV	100EA /Polybag	1500EA (15 bags)	9000EA (6 inner boxes)	24 boxes
LS-MP-UC6-RJ45-CV-WB	50EA /Polybag	750EA (15 bags)	4500EA (6 inner boxes)	24 boxes

*Polybag design



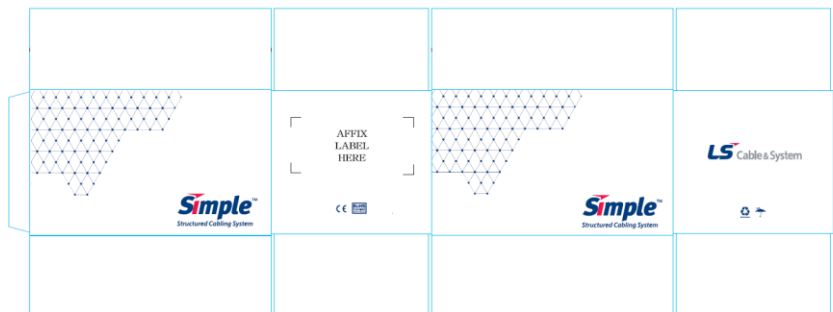
*Inner box design

W345 * D145 * H145 mm

- Pantone 281U (C100 - M72 - Y0 - K32)
- Pantone 199U (C0 - M100 - Y82 - R0)
- Pantone 430CVC (C6 - M0 - Y0 - K47)
- Pantone Process Black C(C0 - M0 - Y0 - K100)

AFFIX LABEL HERE
 Label Frame Size: W120*H58 mm

Label Size: W130*H68 mm



*Outer box design

